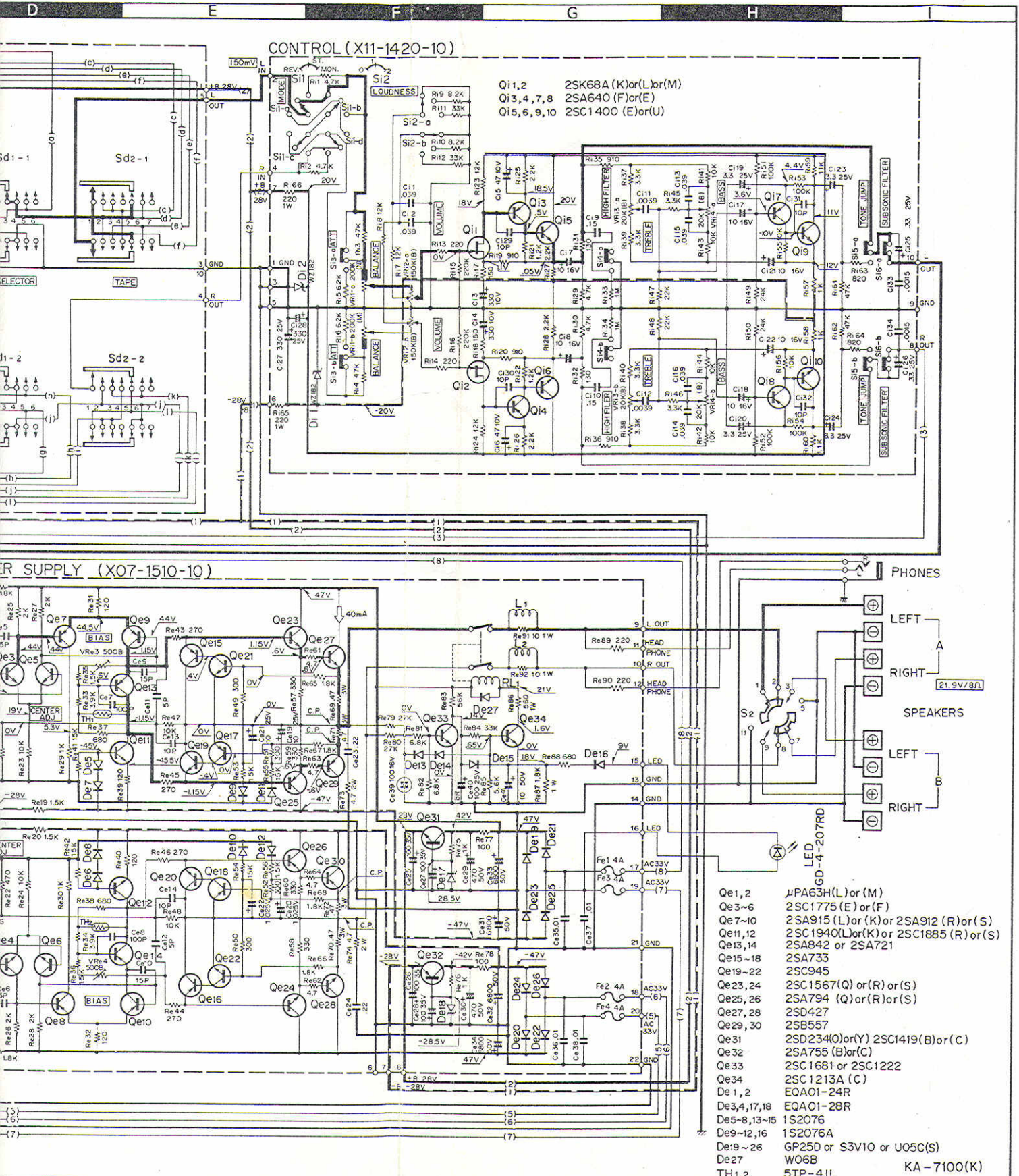


- | | | | | | | | |
|---------|-------|---------|--------|---------|----------|--------|---------|
| 2SA745 | 2SK68 | 2SA755 | 2SA640 | 2SA912 | 2SA915 | μPA63H | 2SC1451 |
| 2SA747 | | 2SB595 | 2SA721 | 2SC945 | 2SC1213A | | 2SC1452 |
| 2SB557 | | 2SC1419 | 2SA733 | 2SC1222 | 2SC1940 | | |
| 2SC1116 | | 2SD234 | 2SA750 | 2SC1400 | | | |
| 2SC1403 | | 2SD525 | 2SA763 | 2SC1775 | | | |
| 2SD427 | | | 2SA872 | 2SC1885 | | | |

DC STEREO INTEGRATED AMPLIFIER

(KA-715)



POWER AMP
 POWER OUT
 60 watts p
 20,000 Hz
 Both Channel D
 Dynamic Power
 Total Harmonic
 Intermodulation
 (60 Hz : 7 K
 Power Bandwid
 Frequency Resp
 Signal to Noise
 Damping Factor
 Speaker Impeda

PRE AMPLIFI
 Input Sensitivity
 Phono
 Tuner
 AUX
 TAPE
 Maximum Input
 Output Level/Im
 Tape REC (ID
 Frequency Resp
 Phono
 AUX & Tape
 Tone Control
 Bass
 Treble
 Loudness Contro

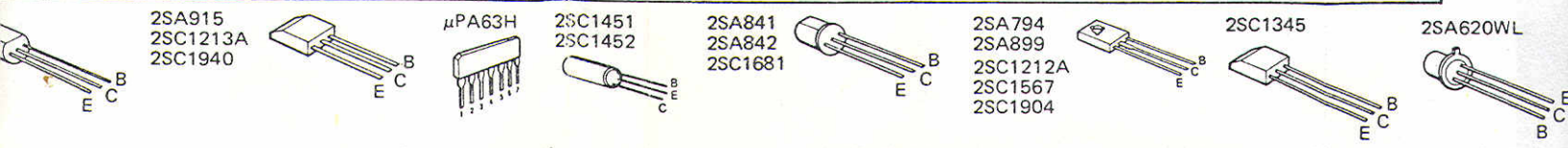
Subsonic Filter
 High Filter

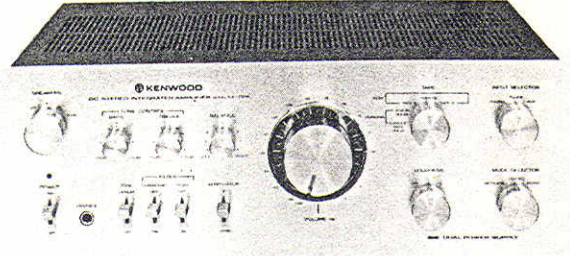
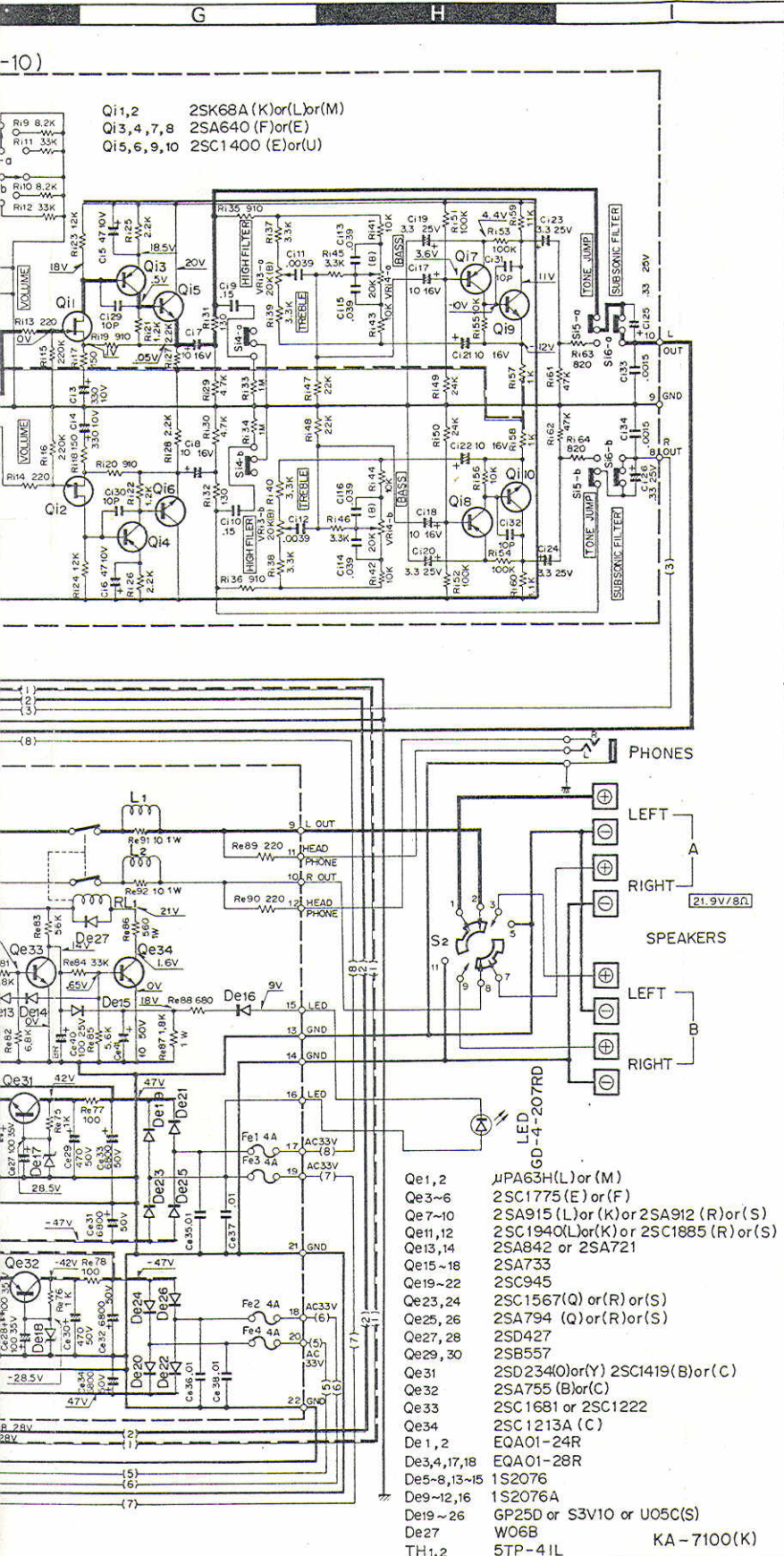
GENERAL
 Power Consumpt
 A.C. Outlet
 Dimensions

Weight (Net)

* Measured pur
 Claims for An

Note: Specificati
 to improv





POWER AMPLIFIER SECTION

POWER OUTPUT

60 watts* per channel, minimum RMS, at 8 ohms from 20 Hz to 20,000 Hz with no more than 0.02% total harmonic distortion.

Both Channel Driven	60 + 60 watts 8 ohms at 1,000 Hz 80 + 80 watts 4 ohms at 1,000 Hz
Dynamic Power Output	250 watts 4 ohms
Total Harmonic Distortion	0.02% at rated power into 8 ohms 0.02% at 1 watt into 8 ohms
Intermodulation Distortion (60 Hz : 7 kHz = 4 : 1)	0.01% at rated power into 8 ohms 0.01% at 1 watt into 8 ohms
Power Bandwidth	5 Hz to 45,000 Hz
Frequency Response	D.C. to 100,000 Hz +0 dB, -1.5 dB
Signal to Noise Ratio	120 dB (short circuited)
Damping Factor	50 at 8 ohms
Speaker Impedance	Accept 4 ohms to 16 ohms

PRE AMPLIFIER SECTION

Input Sensitivity/Impedance/Signal to Noise Ratio (IHF A curve)

Phono	2.5 mV/ 50 k ohms/ 80 dB
Tuner	150 mV/ 50 k ohms/ 110 dB
AUX	150 mV/ 50 k ohms/ 110 dB
Tape	150 mV/ 50 k ohms/ 110 dB
Maximum Input Level for Phono	200 mV (rms), T.H.D. 0.02% at 1,000 Hz
Output Level/Impedance	
Tape REC (Pin)	150 mV/ 450 ohms
(DIN)	30 mV 80 k ohms
Frequency Response	
Phono	RIAA standard curve +0.2 dB, -0.2 dB
AUX & Tape	10 Hz to 100,000 Hz +0 dB, -1.8 dB
Tone Control	
Bass	\pm 7.5 dB at 100 Hz
Treble	\pm 7.5 dB at 10,000 Hz
Loudness Control (-30 dB)	(1) + 3 dB at 100 Hz. (2) + 6 dB at 100 Hz.
Subsonic Filter	20 Hz, 6 dB/oct
High Filter	8 kHz, 6 dB/oct

GENERAL

Power Consumption	460 watts at full power
A.C. Outlet	Switched 2, Unswitched 1
Dimensions	W 16-15/16" (430 mm) H 5-7/8" (149 mm) D 14-15/16" (379 mm.)
Weight (Net)	25.4 lbs. (11.5 kg)

* Measured pursuant to Federal Trade Commission's Trade Regulation rule on Power Output Claims for Amplifier.

Note: Specifications and the design subject to possible modification without notice due to improvements.

